

Gain Top Industrial Group Ltd

Main Land Office: Unit 2713, Choice Plaza, 448 Guangzhou
Da Dao Nan, Guangzhou, China.

TEL: +86-(0)2034135273

FAX: +86-(0)2034135280

E-mail: contact@gaintop.fr

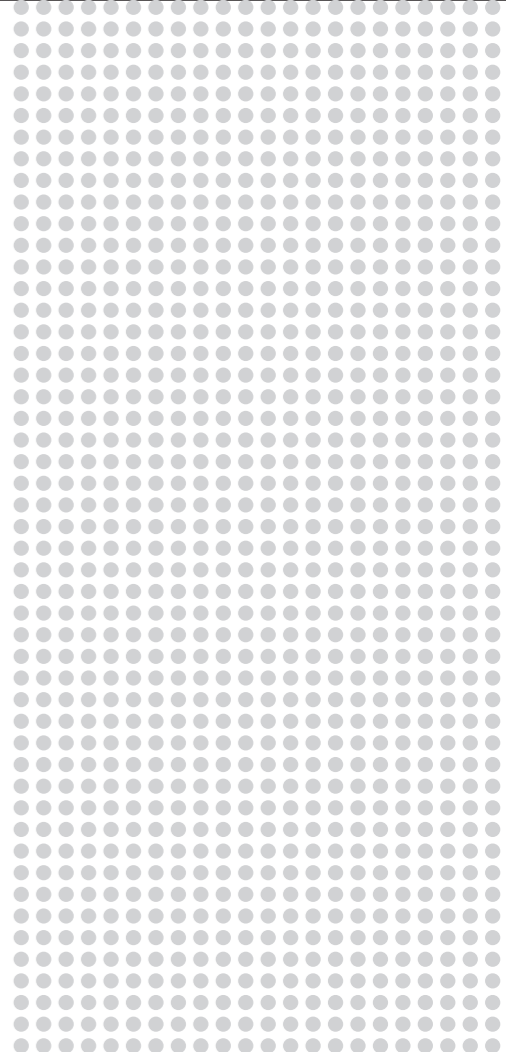
Web: www.gaintop.net www.gaintop.fr
www.gaintop.de www.gaintop.es

LED

CATALOGUE

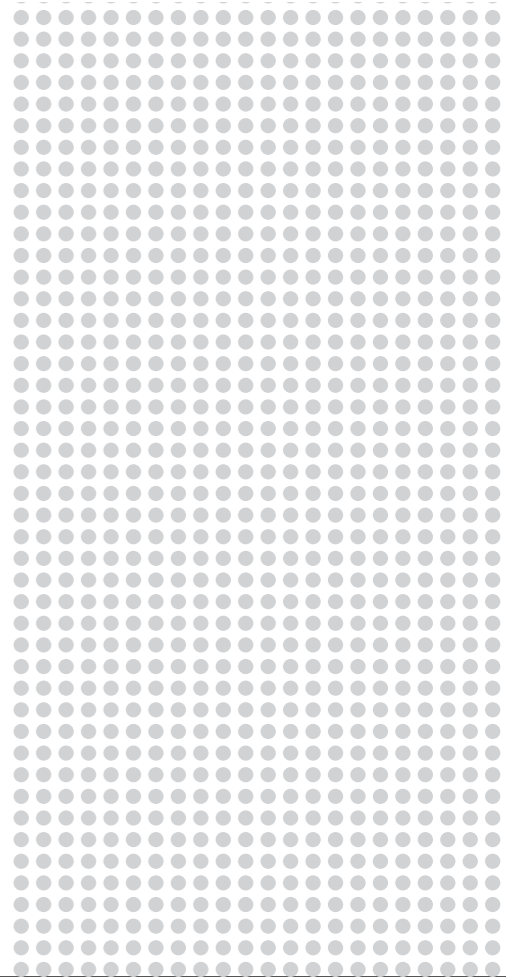
2013-2014

créateur



LED

CATALOGUE
2013-2014
créateur





2013-2014

CATALOGUE

Gain Top Industrial Group Ltd is a professional LED lighting solution supplier with designing, manufacturing and marketing. In 1999, Gain Top invested about RMB30000000 to set the advanced production line for LEDs package. It prepared a strong and high quality basement for manufacturing LED lightings later. Gain Top formally starts manufacture LED lightings in 2004. With 9 years of accumulating, Gain Top formed its own particular business chain. It becomes the preferred business partner for many European lighting companies.

Gain Top first European office was successfully set up in France in 2007. Germany office was set up in 2009. With Win-Win cooperation type, high quality products, first class service and new products developing ability, Gain Top Wins the confidence from more and more European enterprises. Gain Top proposed in 2009: manufacture+service+partnership It is proved to be a successful cooperation style by long-term strategic partners in France, Germany, Swiss, Portugal, etc.

Gain Top is dedicated to Industrial lighting, Commercial lighting, Decoration lighting, Street lighting, Brightening area, etc. It has ISO9001, CE certificate and SGS certificate. It never stops on offering better and more systemic lighting solutions to customers.

Gain Top is expecting to have further cooperation with customers from different fields, to work on market together, to build the top brand of LED lighting together.

CONTENTS



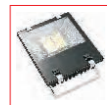
LED COURTYARD LAMP.....01P-04P



LED FLOOD LIGHT.....07P-10P



LED HIGH BAY..... 13P-16P



LED TUNNEL LIGHT.....21P-22P



LED WALL WASHER.....26P-28P



LED UNDERGROUND LAMP.....32P-34P



LED TUBE.....39P-42P



LED PANEL..... 45P-48P



LED LAMP.....51P-53P



LED SPOT.....59P-66P



LED DOWNLIGHT.....69P-74P



LED FLEXIBLE STRIP.....78P-82P



CONTROLLER.....85P-88P



TRANSFORMER.....89P-90P





LED Street Lighting

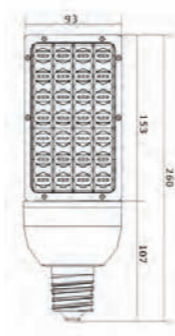
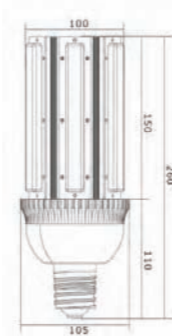
After 5 years researching and developing of LED lighting, Gain Top urban lighting products have been widely used in street lighting both in China and abroad. LED street lighting products mainly use 50W high-power integration chip as the light source. It can be directly connected to 100-240VAC supply power. Advantages: long life, high CRI, energy saving, simple installation and low maintenance costs, etc. Suitable place: main street, sub-trunk street, tunnel, park, residential, school and so on.



GT-ST0009

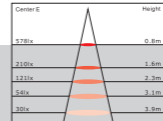
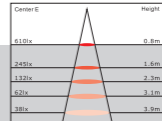
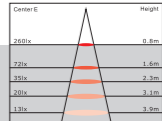


GT-ST0012



Unit:mm



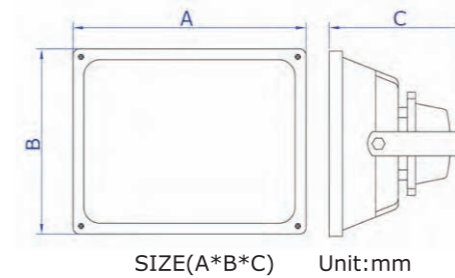
MODEL	GT-ST0009	GT-ST0009	GT-ST0012	
INPUT VOLATGE	85-265VAC/50-60Hz			
POWER	30W	36W	28W	
PFC	≥0.95			
LED QTY	EPISTAR LED 30PCS	EPISTAR LED 36PCS	EPISTAR LED 28PCS	
LUMENS	2800-3000K	2700LM	3315LM	
	4000-4500K	2800LM	3340LM	
	5000-5500K	2850LM	3380LM	
ILLUMINANCE-DISTANCE CURVE				
	BEAM ANGEL	360°	360°	150*60°
	BASE	E27/E40		
GRADE	960°C/5S CLASS I IK08 IP22			
MATERIAL	Aluminum+PC			
LIFE-SPAN	50000H			
SIZE(mm)	260*105	260*105	260*93	



LED Flood Light

The LED Flood Light use multi-chip LED integrated single module design, with the first-class Aluminum alloy housing, acrylic glass cover and high efficiency imported LED driver, can be indoor or outdoor use. It is applied to building lighting, Gas station, Road, Bridge, Plant, Corridor, Stage, Hotel shop, Stadium, Parking wide places which needed.





140°
1.5-20m

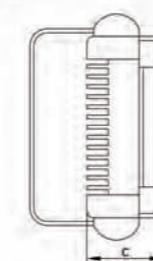
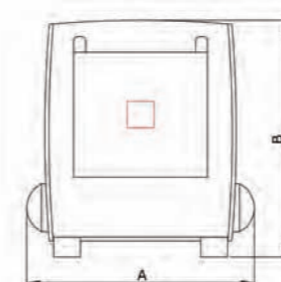
**SENSOR
SERIES**



MODEL	GT-FL0001	GT-FL0003	GT-FL0004	GT-FL0006	GT-FL0012
INPUT VOLTAGE	85-265VAC/50-60Hz				
POWER	10W	30W	50W	80W	100W
PFC	≥0.95				
LED QTY	BRIDGELUX LED 1PC				
LUMENS	2800-3000K	2850LM	4719LM	7370LM	9124LM
	4000-4500K	952LM	2870LM	4762LM	7425LM
	5000-5500K	960LM	2886LM	4820LM	9256LM
ILLUMINANCE-DISTANCE CURVE					
BEAM ANGLE	50° / 120°				
GRADE	960°C/5S CLASS I IK08 IP65				
MATERIAL	Aluminum+Glass				
LIFE-SPAN	50000H				
SIZE(A*B*C)mm	114.5*86*105	225*185*126	290*236*183	360*285*114	400*330*120

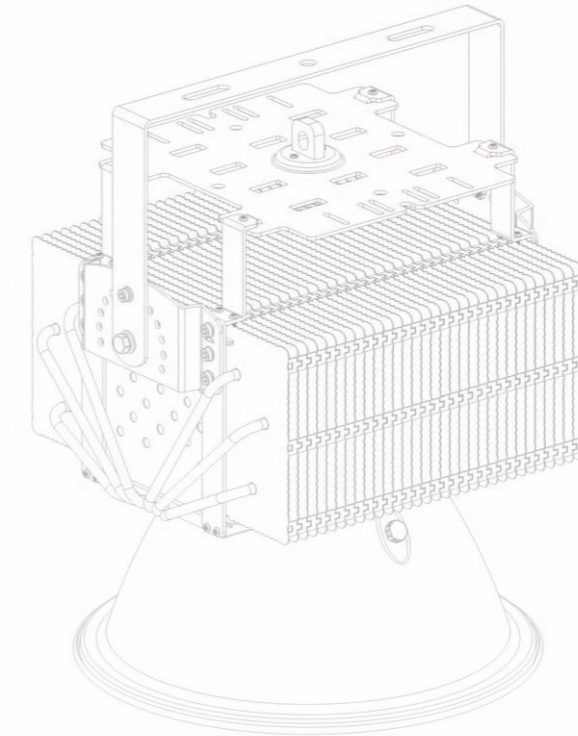


MODEL	GT-FL0007	GT-FL0008	GT-FL0009	GT-FL0010	GT-FL0011	
INPUT VOLATGE	85-265VAC/50-60Hz					
POWER	10W	30W	50W	80W	100W	
PFC	≥0.95					
LED QTY	BRIDGELUX LED 1PC					
LUMENS	2800-3000K	929LM	2721LM	4720LM	7225LM	9102LM
	4000-4500K	935LM	2786LM	4735LM	7236LM	9200LM
	5000-5500K	950LM	2810LM	4759LM	7246LM	9245LM
ILLUMINANCE-DISTANCE CURVE						
BEAM ANGEL	120°					
GRADE	960°C/5S CLASS I IK08 IP65					
MATERIAL	Aluminum+Glass					
LIFE-SPAN	50000H					
SIZE(A*B*C)mm	182*165*61	292*246*77	397*327*104	397*327*104	390*322*106	



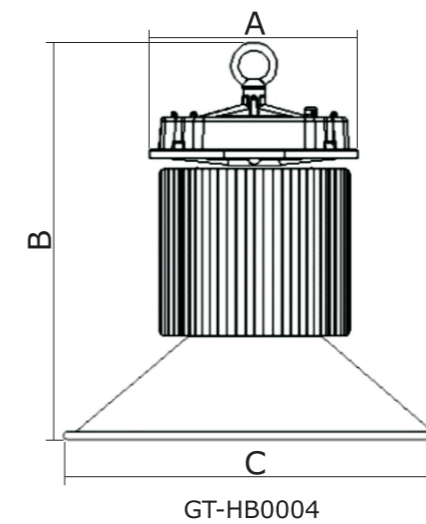
SIZE(A*B*C) Unit:mm



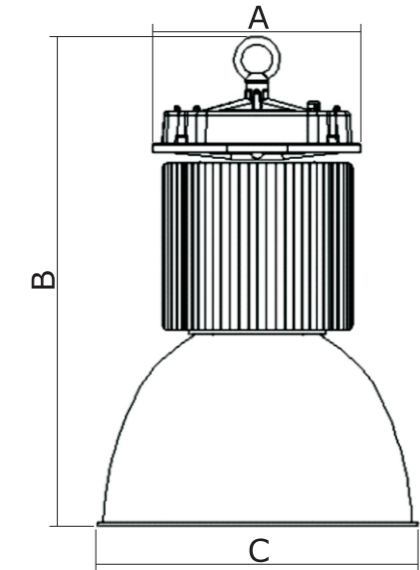


LED High-bay

LED High-bay light, also called factories light, use multi-chip LED integrated single module design is widely used in warehouse, supermarket, building lighting, Food wholesale warehouses. Food wholesale. Transport company warehouses. factory, farms, showrooms, and so on. It's super high light output, which 120W can be brighter than the 400W high-pressure lamp.



GT-HB0004
SIZE(A*B*C) Unit:mm



GT-HB0003
SIZE(A*B*C) Unit:mm



MODEL	GT-HB0003	GT-HB0003	GT-HB0003	GT-HB0003	GT-HB0003	GT-HB0003
INPUT VOLATGE	85-265VAC/50-60Hz					
POWER	50W	80W	100W	120W	150W	200W
PFC	≥0.95					
LED QTY	BRIDGELUX LED 1PC					
	2800-3000K	4458LM	7256LM	9210LM	10920LM	13840LM
LUMENS	4000-4500K	4523LM	7269LM	9355LM	11090LM	13900LM
	5000-5500K	4568LM	7346LM	9387LM	11253LM	14002LM
ILLUMINANCE-DISTANCE CURVE						
BEAM ANGEL	50°					
DIMMING OPTION	1-10VDC/PWM/TRIAC					
GRADE	960°C/5S CLASS I IK08 IP65					
MATERIAL	Aluminum+Glass					
LIFE-SPAN	50000H					
SIZE(A*B*C)mm	200*501*420	200*560*420	273*670*420	273*700*420	273*730*420	273*770*420

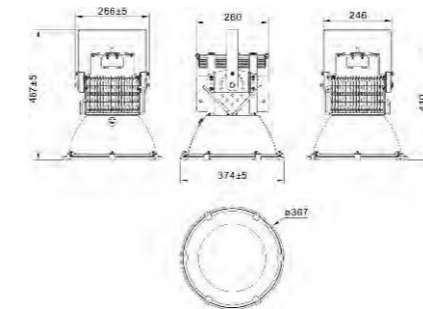


MODEL	GT-HB0004	GT-HB0004	GT-HB0004	GT-HB0004	GT-HB0004	GT-HB0004
INPUT VOLATGE	85-265VAC/50-60Hz					
POWER	50W	80W	100W	120W	150W	200W
PFC	≥0.95					
LED QTY	BRIDGELUX LED 1PC					
	2800-3000K	4462LM	7262LM	9225LM	10940LM	13868LM
LUMENS	4000-4500K	4533LM	7275LM	9365LM	11150LM	13940LM
	5000-5500K	4575LM	7352LM	9398LM	11283LM	14053LM
ILLUMINANCE-DISTANCE CURVE						
BEAM ANGEL	120°					
DIMMING OPTION	1-10VDC/PWM/TRIAC					
GRADE	960°C/5S CLASS I IK08 IP65					
MATERIAL	Aluminum+Glass					
LIFE-SPAN	50000H					
SIZE(A*B*C)mm	200*368*500	200*428*500	273*451*500	273*481*500	273*511*500	273*551*500

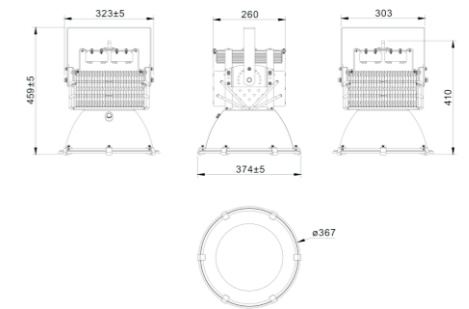


GT-HB0005-500W

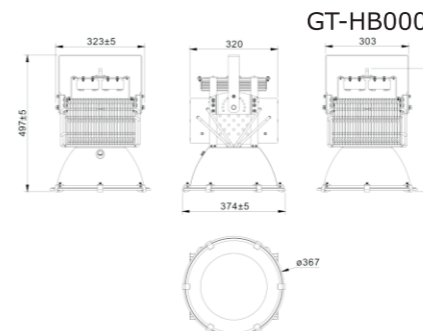
New Technology : Heat Pipe



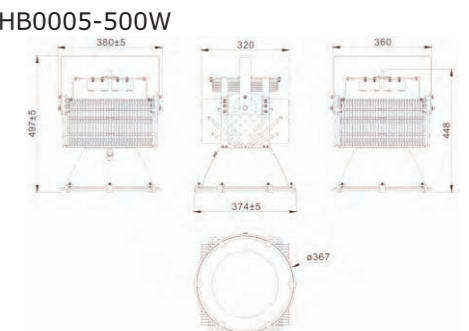
GT-HB0005-200W



GT-HB0005-300W



GT-HB0005-400W



GT-HB0005-500W

Unit:mm



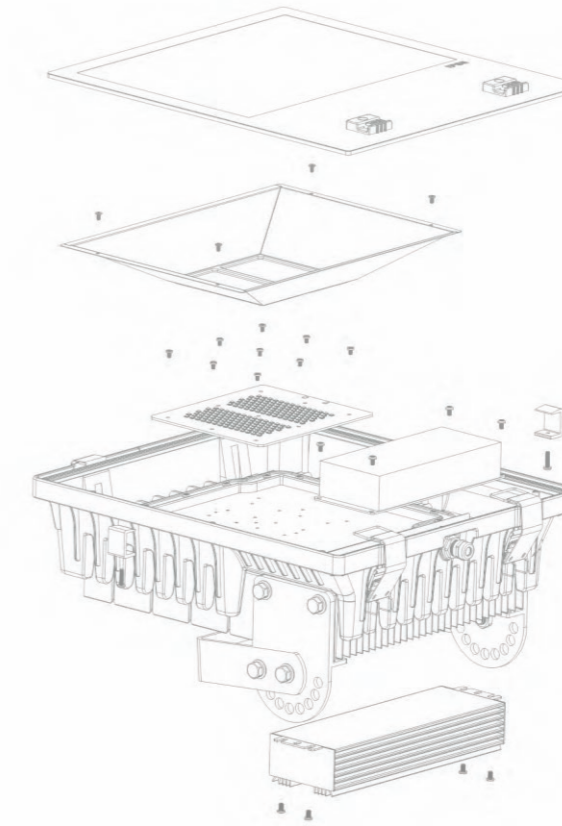
HLG SERIES



MODEL	GT-HB0005-200W	GT-HB0005-300W	GT-HB0005-400W	GT-HB0005-500W
INPUT VOLATGE	90-305VAC/50-60Hz			
POWER	200W	300W	400W	500W
PFC	≥0.95			
LED QTY	CREE XBD 120PCS	CREE XBD 176PCS	CREE XBD 224PCS	CREE XBD 280PCS
LUMENS	2800-3000K	18850LM	27230LM	35978LM
	4000-4500K	18902LM	27451LM	36025LM
	5000-5500K	19054LM	27852LM	36262LM
ILLUMINANCE-DISTANCE CURVE				
BEAM ANGEL	60°			
DIMMING OPTION	1-10VDC / PWM / TRIAC			
GRADE	960°C/5S CLASS I IK08 IP65			
MATERIAL	Aluminum+Glass			
LIFE-SPAN	50000H			
SIZE(mm)	266*374*467	323*374*459	323*374*497	380*374*497



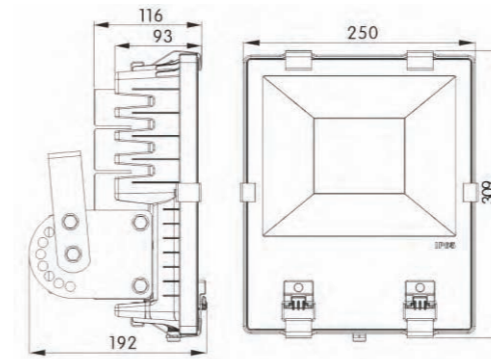
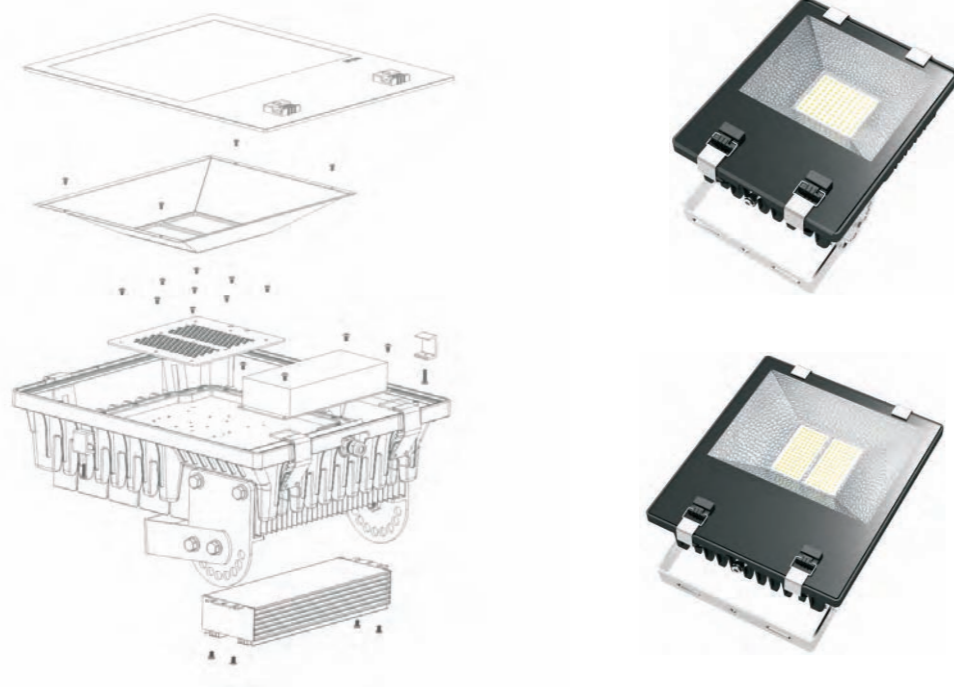




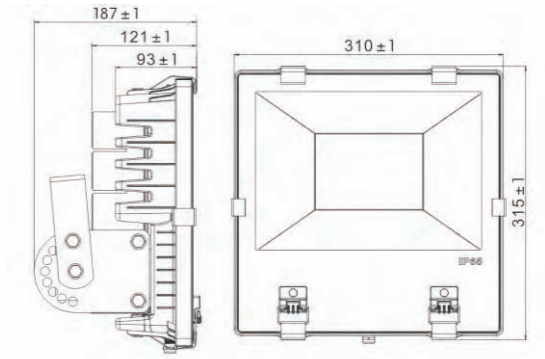
LED Tunnel Light:

LED tunnel light series ,use multi-chip LED integrated single module design ,belong to our street lights with more than 4 times energy-save than the ordinary high-pressure sodium lamp . It is the new trend luminaires for use in Tunnel, City streets, pavements, squares, schools, parks, yards, inhabitancy area, factories and some other places where need lighting.

New Technology : Heat Pipe



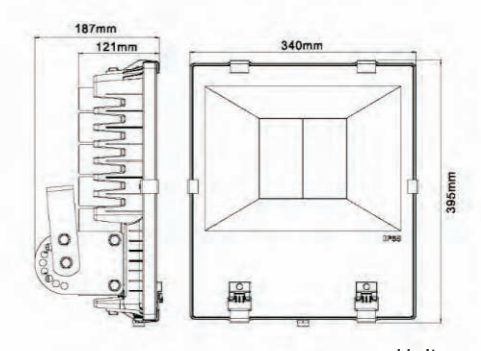
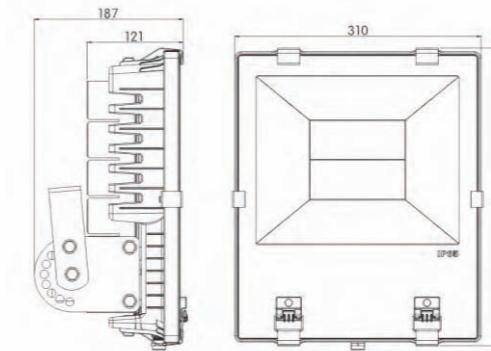
NEW GT-TN0001



NEW GT-TN0002

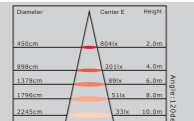
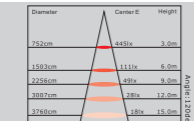
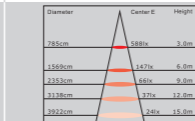
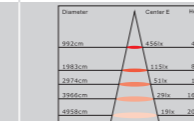
NEW GT-TN0003

NEW GT-TN0004



Unit:mm

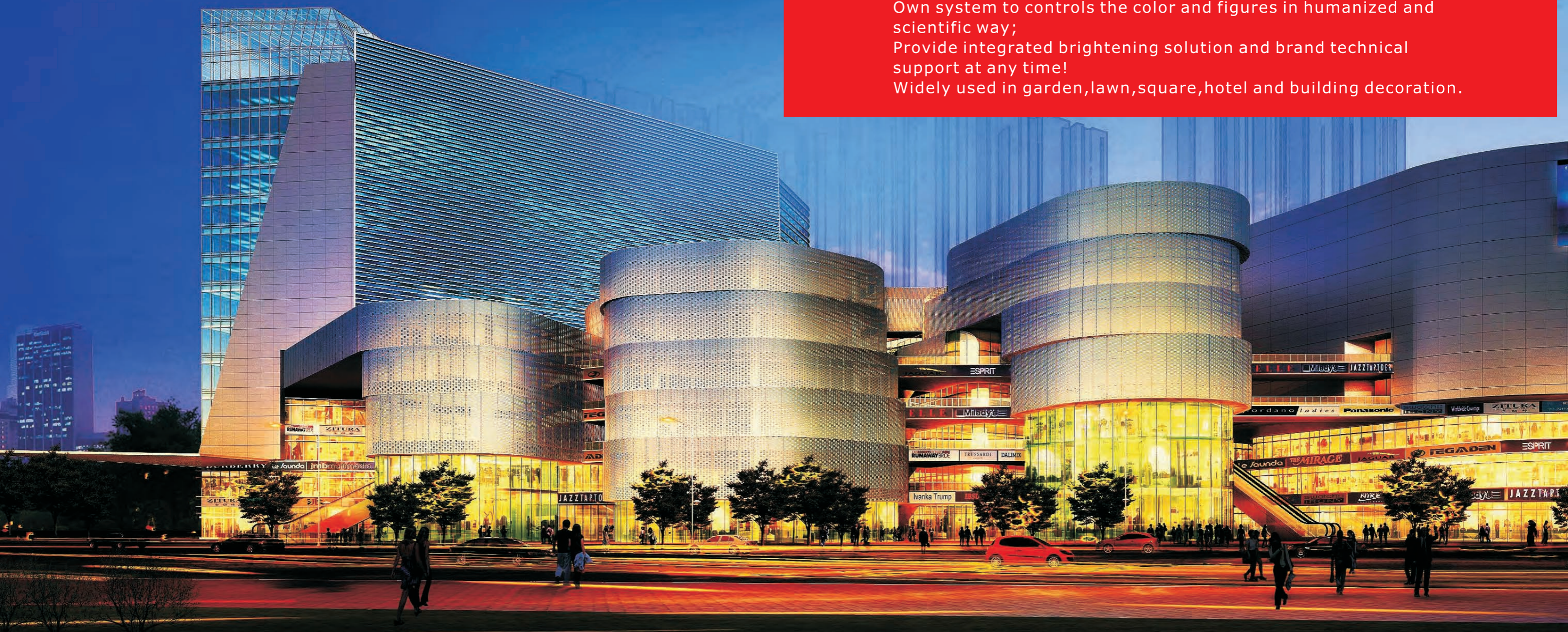


MODEL	NEW GT-TN0001	NEW GT-TN0002	NEW GT-TN0003	NEW GT-TN0004
INPUT VOLATGE	90-305VAC/50-60Hz			
POWER	100W	120W	150W	180W
PFC	≥0.95			
LED QTY	CREE XBD 55PCS	CREE XBD 66PCS	CREE XBD 88PCS	CREE XBD 120PCS
LUMENS	2800-3000K	8865LM	10577LM	13818LM
	4000-4500K	8887LM	10685LM	13952LM
	5000-5500K	8920LM	10850LM	14100LM
ILLUMINANCE-DISTANCE CURVE				
BEAM ANGEL	120°			
DIMMING OPTION	1-10VDC/PWM/TRIAC			
GRADE	960°C/5S CLASS I IK08 IP65			
MATERIAL	Aluminum+Glass			
LIFE-SPAN	50000H			
SIZE(mm)	250*309*192	310*315*187	310*375*187	340*395*187



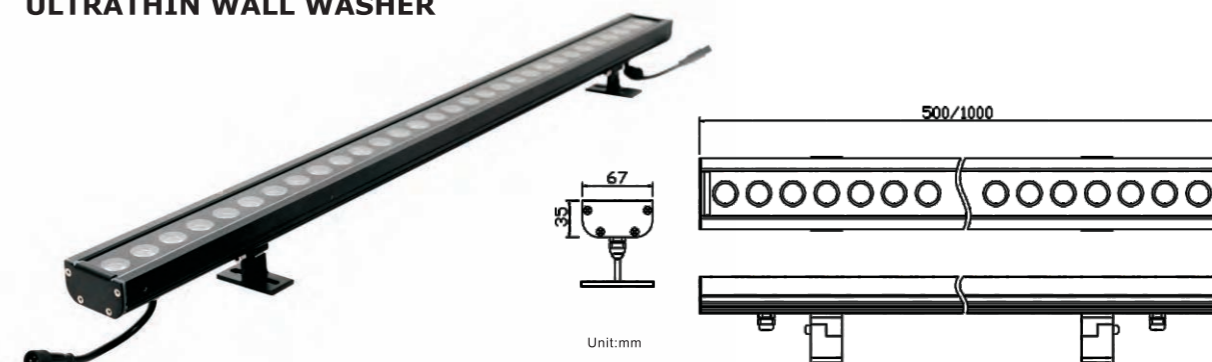
LED Brightening lighting

NO.316 stainless steel was used as the fitting construction, anti-corrosion, anti-brine corrosion, high abrasion resistance;
Use high power LED, make lamp in high brightness, weeny light declination and multi-colorful;
Independent R&D in lighting distribution which increases 30% lighting efficiency, multi-angle change;
Own system to controls the color and figures in humanized and scientific way;
Provide integrated brightening solution and brand technical support at any time!
Widely used in garden, lawn, square, hotel and building decoration.

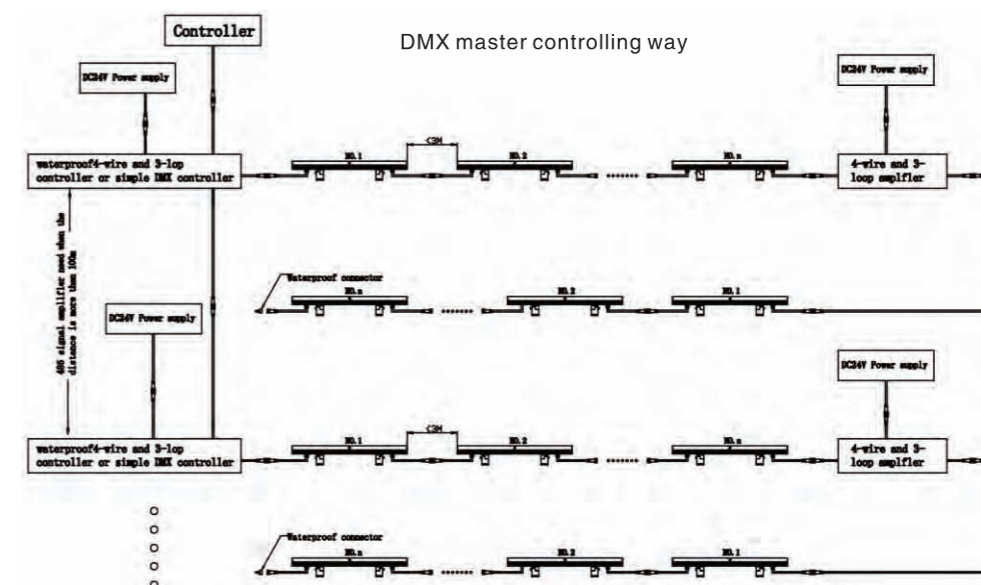




ULTRATHIN WALL WASHER



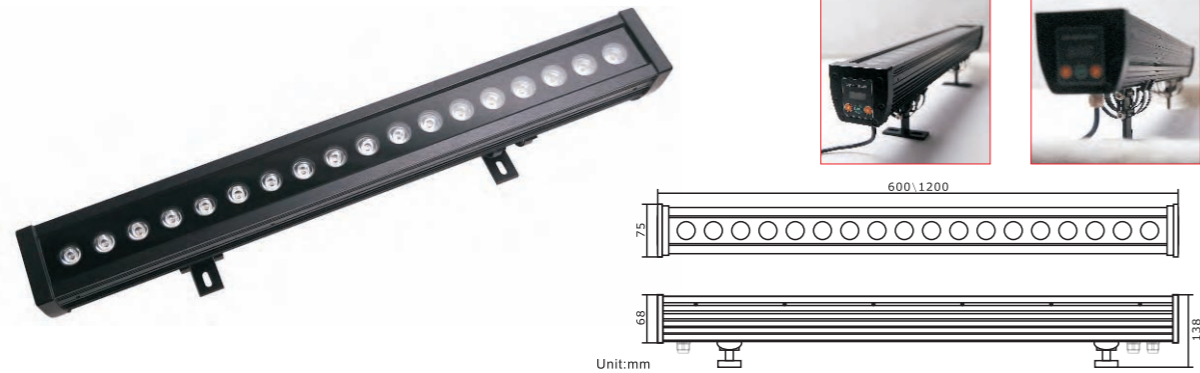
MODEL	GT-WW0007		GT-WW0008	
INPUT VOLATGE	24VDC/50-60Hz			
POWER	15*1W	15*3W	30*1W	30*3W
SINGAL STANDARD	DMX CONTROLLER			
LED QTY	EPISTAR LED 15PCS	EPISTAR LED 15PCS	EPISTAR LED 30PCS	EPISTAR LED 30PCS
LUMENS	90-100lm/W			
CONTROL WAY	DMX CONTROLLER BOX		DMX CONSOLE	
PROJCTION DISTANCE	15M			
LED PROJECTING WAY	Self-Developed Integral And Obliquitous Reflector			
BEAM ANGEL	30°			
GRADE	960°C/5S CLASS I IK08 IP65			
MATERIAL	Aluminum+Glass			
LIFE-SPAN	50000H			
COLOR	R	G	B	WW CW RGB RGB 3 in 1
SIZE(mm)	500*50*35		1000*50*35	





LED WALL WASHER

SINGLE-ROW WALL WASHER



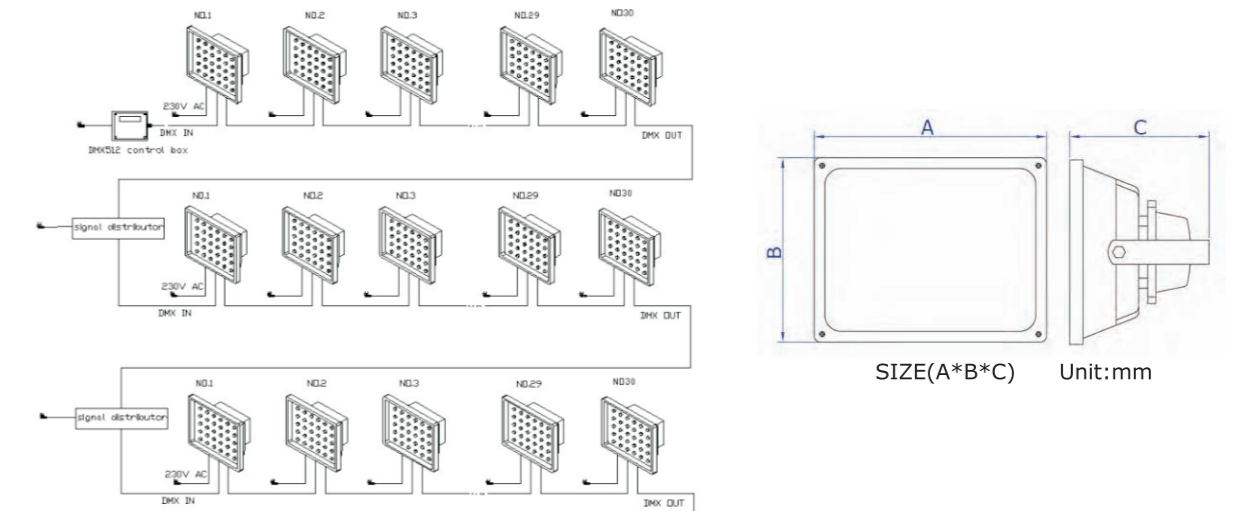
MODEL	GT-WW0016		GT-WW0017	
INPUT VOLATGE	100-240VAC/50-60Hz			
POWER	18*1W	18*3W	36*1W	36*3W
SINGAL STANDARD	DMX 512 CONTROLLER			
LED QTY	EPISTAR LED 18PCS	EPISTAR LED 18PCS	EPISTAR LED 36PCS	EPISTAR LED 36PCS
CONTROL WAY	DMX CONTROLLER BOX DMX CONSOLE			
LUMENS	90-100lm/W			
PROJCETION DISTANCE	15M			
LED PROJECTING WAY	Self-Developed Integral And Obliquitous Reflector			
BEAM ANGEL	30°			
GRADE	960°C/5S CLASS I IK08 IP65			
MATERIAL	Aluminum+Glass			
LIFE-SPAN	50000H			
COLOR	R	G	B	WW CW RGB 3 in 1
SIZE(mm)	600*75*68		1200*75*68	

SQUARE WALL WASHER



MODEL	GT-WW0004	GT-WW0006	GT-WW0005
INPUT VOLATGE	100-240VAC/50-60Hz		
POWER	40W	50W	20W
SINGAL STANDARD	DMX 512 CONTROLLER		
LED QTY	EPISTAR LED 3IN1 24PCS	EPISTAR LED 3IN1 30PCS	EPISTAR LED 3IN1 12PCS
CONTROL WAY	DMX CONTROLLER BOX DMX CONSOLE		
LUMENS	90-100lm/W		
PROJECTION DISTANCE	20M		
BEAM ANGEL	30°		
GRADE	960°C/5S CLASS I IK08 IP65		
MATERIAL	Aluminum+Glass		
LIFE-SPAN	50000H		
COLOR	R	G	B WW CW RGB 3 in 1
SIZE(A*B*C)mm	225*185*126	290*236*183	181*141*116

THE CONNECTION WAY





The underground lamp adopts high power LED as light source, there are many advantages when compared with the normal underground lamp. Such as low energy-saving, environment protection, high brightness, anti-shock, anti-vibration, purity color, and long lifespan, about 50,000 hours. They can be widely used in the buildings, stage, ancient buildings, shopping malls, hotel, cultural place and so on.



GT-UG0019



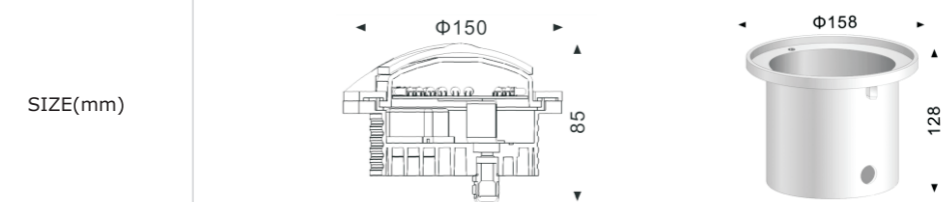
GT-UG0020



GT-UG0021

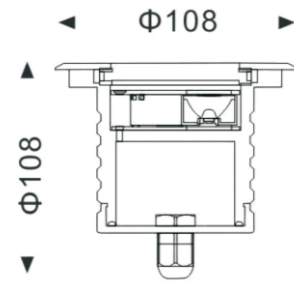


MODEL	GT-UG0019	GT-UG0020	GT-UG0021
INPUT VOLATGE	24VDC/50-60Hz		
POWER	0.9W	1.6W	1.9W
LED QTY	EPISTAR LED 10PCS	EPISTAR LED 20PCS	EPISTAR LED 24PCS
COLOR	2700-7000K		
GRADE	960°C/5S CLASS I IK08 IP65		
MATERIAL	Stainless steel 316		

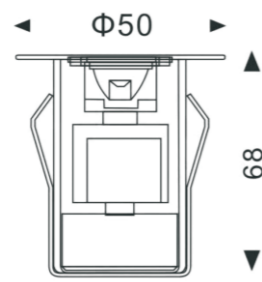




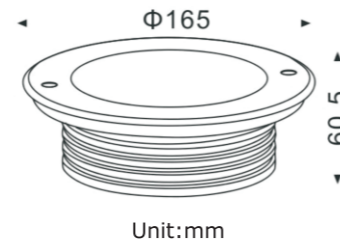
GT-UG0011



GT-UG0013



GT-UG0014

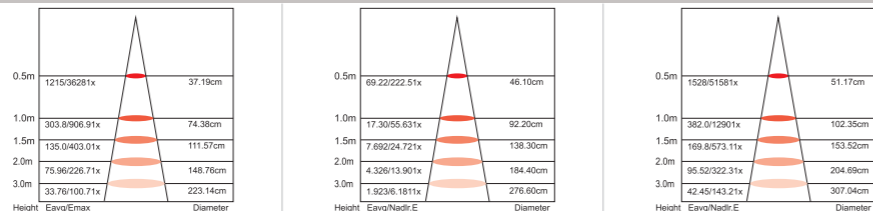


Unit:mm

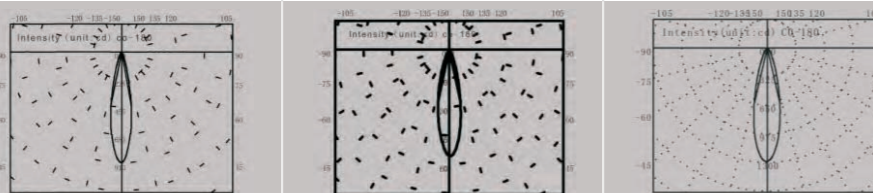


MODEL	GT-UG0011	GT-UG0013	GT-UG0014
INPUT VOLATGE	24VDC/50-60Hz		
POWER	3*1W	1*1W	6*1W
LED QTY	EPISTAR LED 3PCS	EPISTAR LED 1PC	EPISTAR LED 6PCS
COLOR	2700-7000K/R/G/B		
GRADE	960°C/5S CLASS I IK08 IP65		
MATERIAL	Stainless steel 316		

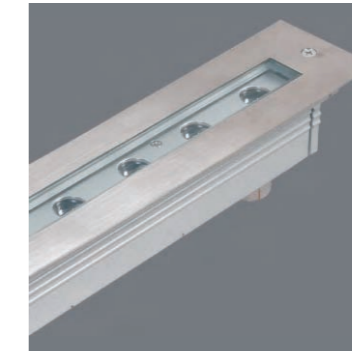
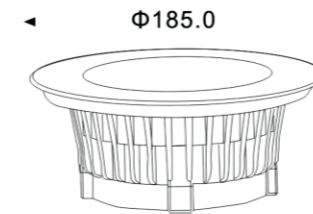
ILLUMINANCE-DISTANCE CURVE



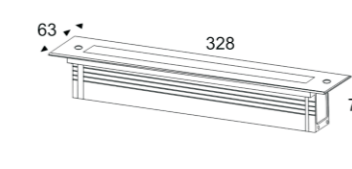
LUMINOUS INTENSITY DISTRIBUTION



GT-UG0015



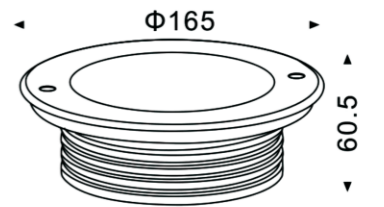
GT-UG0016



Unit:mm

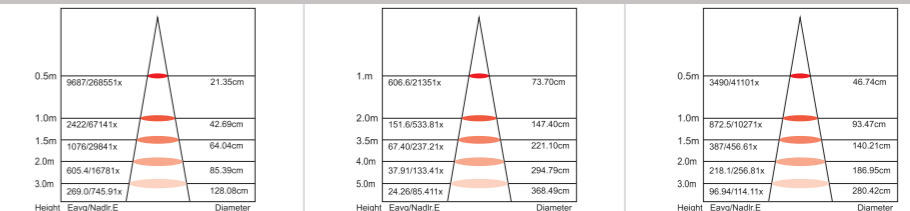


GT-UG0017

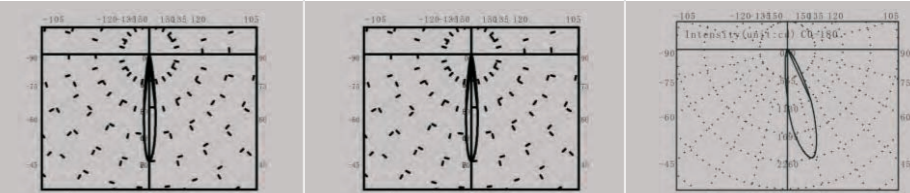


MODEL	GT-UG0015	GT-UG0016	GT-UG0017
INPUT VOLATGE	24VDC/50-60Hz		
POWER	12*1W	6*1W	6*1W
LED QTY	EPISTAR LED 12PCS	EPISTAR LED 6PCS	EPISTAR LED 6PCS
COLOR	2700-7000K/R/G/B		
GRADE	960°C/5S CLASS I IK08 IP65		
MATERIAL	Stainless steel 316		

ILLUMINANCE-DISTANCE CURVE



LUMINOUS INTENSITY DISTRIBUTION





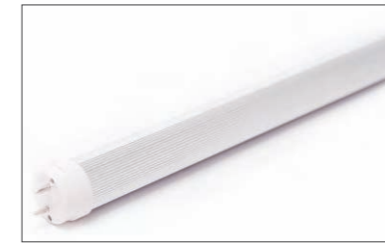
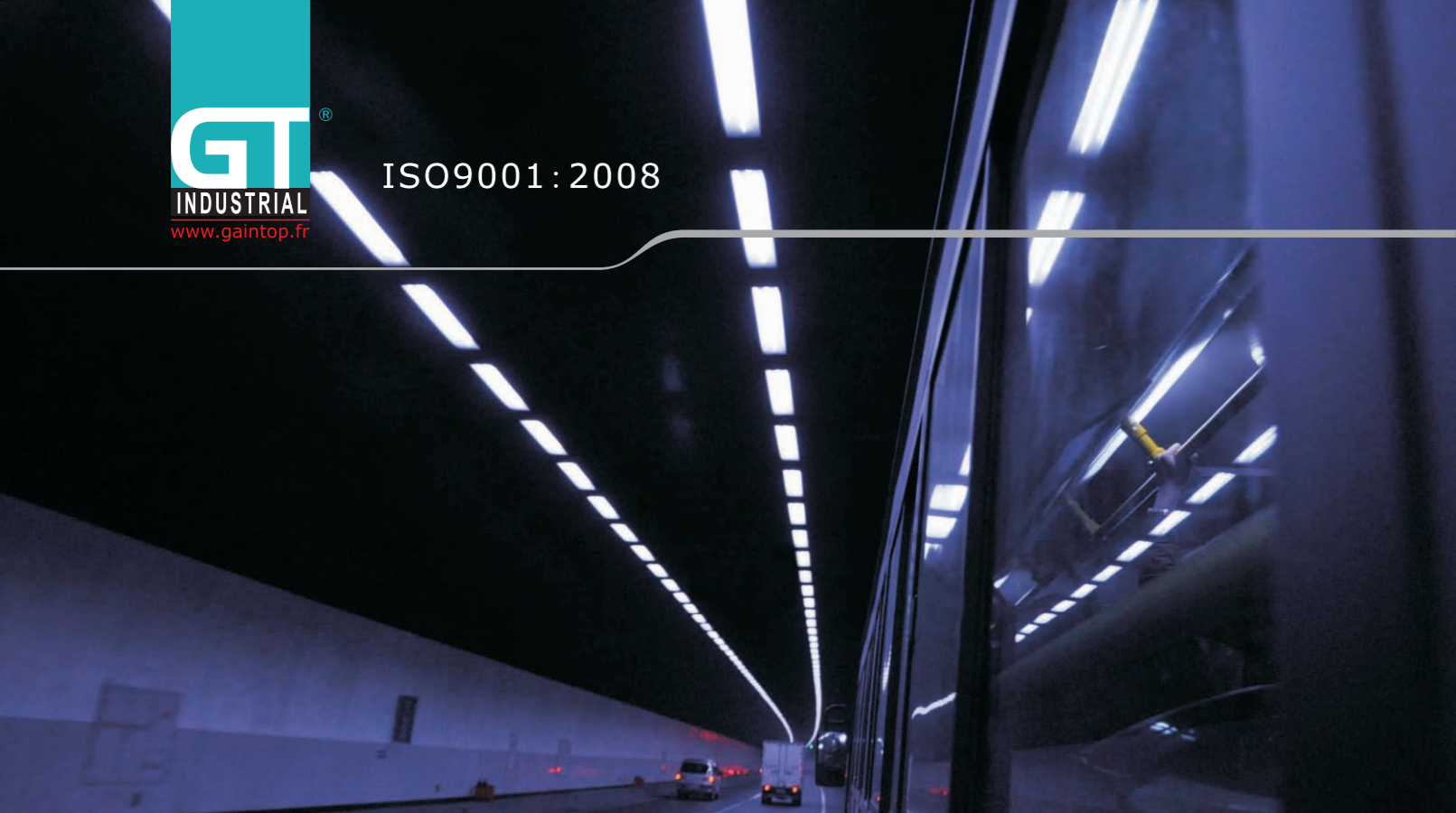
LED Commercial lighting

Unique appearance, designed by experienced product designers;
Use high power LED, make lamp in high brightness and weeny light declination;
Independent R&D in lighting distribution which aggrandizes 30% of the lighting efficiency;
Owned control system to guarantee the stable quality;
Elegant product packaging, provide serving brand.
Widely used in building office, shopping mall, hotel, school, hospital, restaurant, metro station and underground parking etc.



GT LED Tube is designed to replace bi-pin fluorescent tube, provides energy savings of up to 75% over fluorescent, widely applicable to both commercial and residential such as Living room, bedroom, washroom, school, office, hospital, shop, indoor parking area, metro, etc.
T5, T8, T10, Oval (Can replace both T8&T10), intelligent model (microwave sensor)
35,000+ hours lifetimes, no maintenance, high efficiency, no mercury, no recycling, no flickering, no buzzing, instant start.

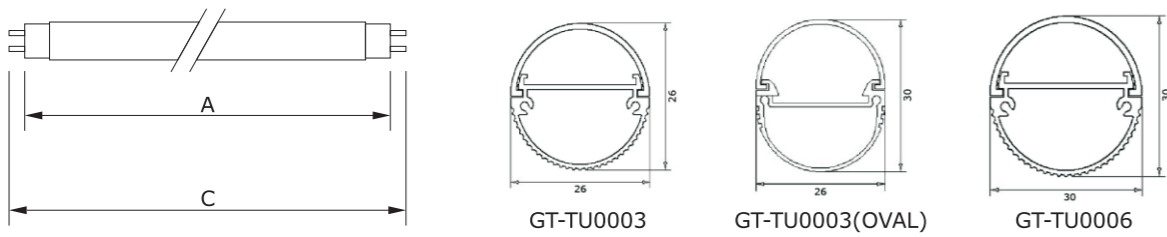




T8/T10



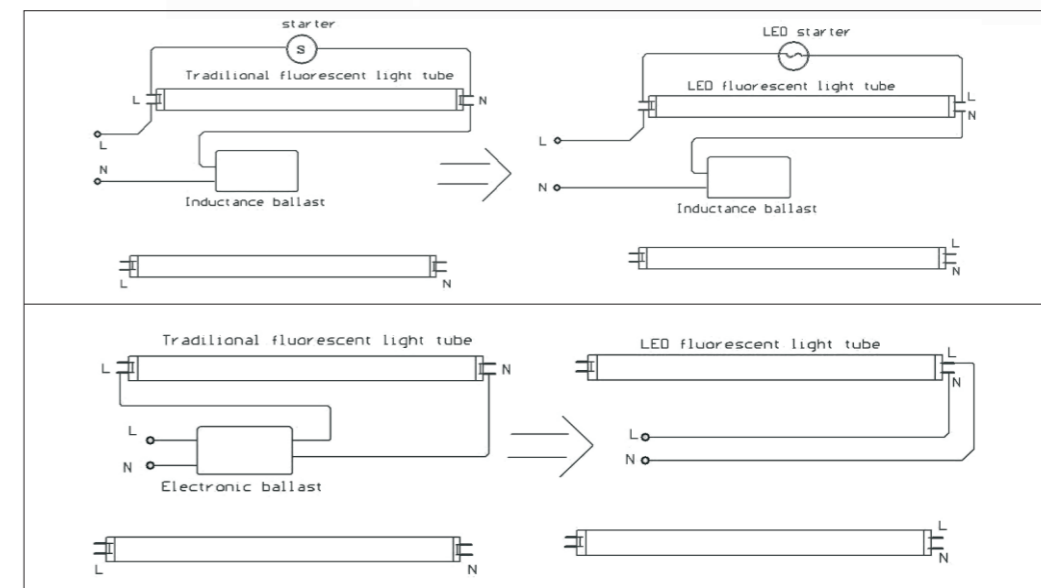
OVAL

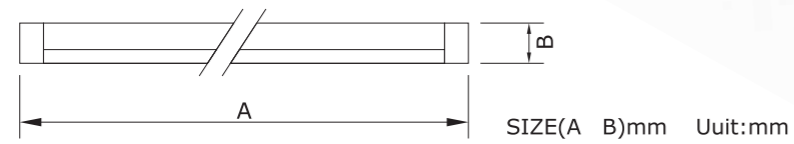
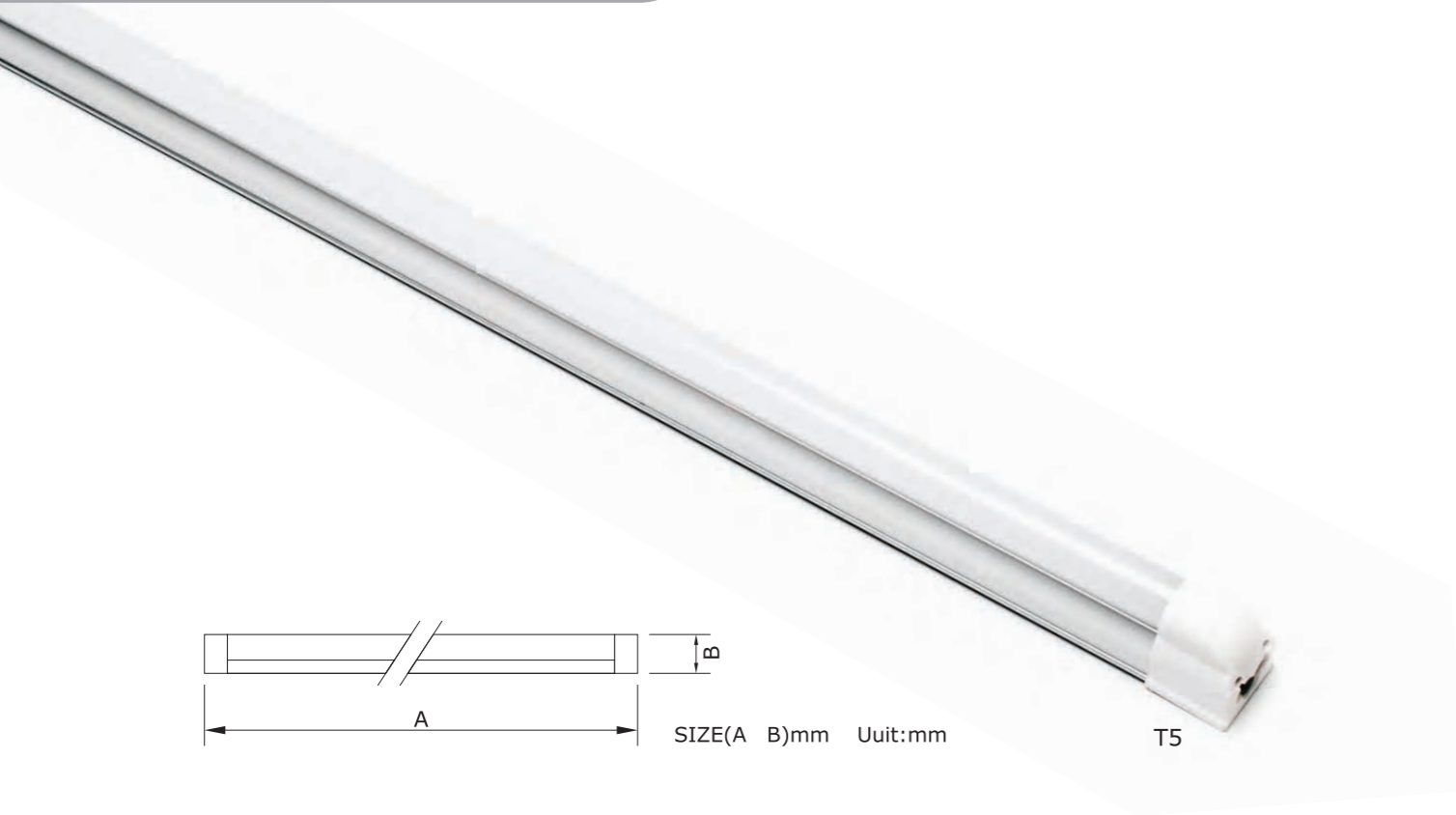


SIZE(A C)mm Uuit:mm

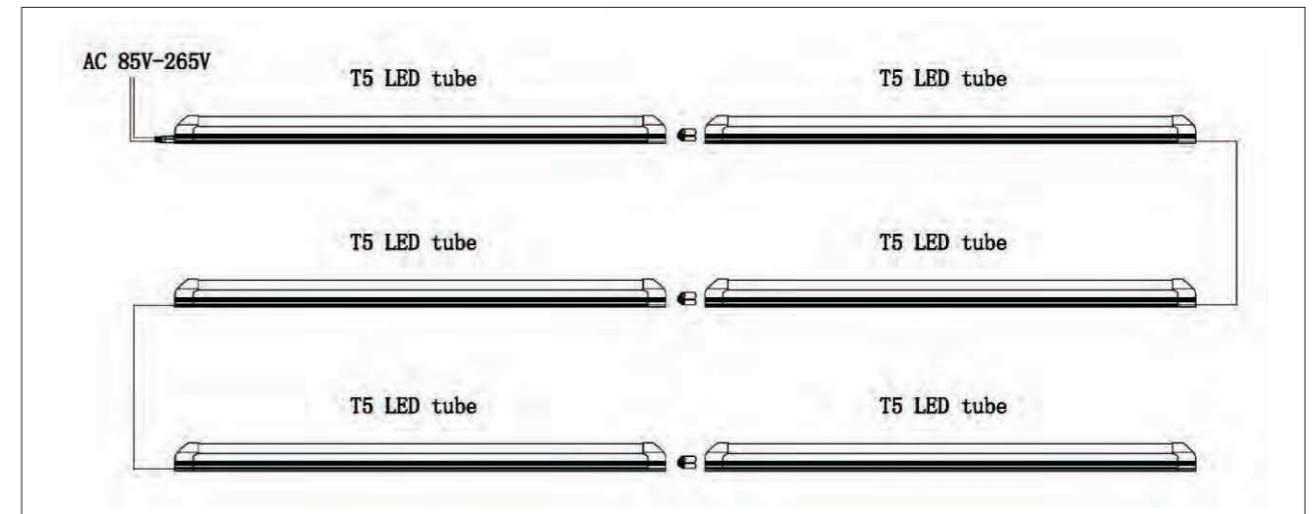
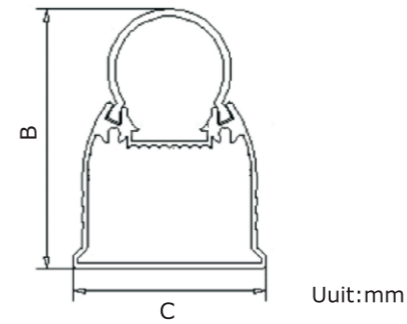


MODEL	GT-TU0003/0003(OVAL)/0006	GT-TU0004/0004(OVAL)/0007	GT-TU0005/0005(OVAL)/0008	
INPUT VOLATGE	85-265VAC/50-60Hz			
POWER	10W	20W	30W	
PFC	≥0.95			
LED QTY	EPISTAR 2835 60PCS	EPISTAR 2835 120PCS	EPISTAR 2835 150PCS	
LUMENS	2800-3000K	1280LM	2470LM	3100LM
	4000-4500K	1300LM	2507LM	3182LM
	5000-5500K	1320LM	2560LM	3208LM
ILLUMINANCE-DISTANCE CURVE				
COLOR INDEX	RA>80			
MATERIAL	Aluminum+PC			
OPERATING TEMPERATURE	-30-50°C			
GRADE	850°C/5S CLASS II IK08 IP22			
LIFE-SPAN	50000H			
SIZE(mm)	A=590 B=604	A=1199 B=1213	A=1500 B=1514	





T5



MODEL	GT-TU0013	GT-TU0009	GT-TU0014	GT-TU0015	
INPUT VOLATGE	85-265VAC/50-60Hz				
POWER	10W	16W	20W	30W	
PFC	≥0.95				
LED QTY	EPISTAR 2835 60PCS	EPISTAR 2835 90PCS	EPISTAR 2835 120PCS	EPISTAR 2835 150PCS	
LUMENS	2800-3000K	1280LM	1862LM	2470LM	3100LM
	4000-4500K	1300LM	1890LM	2507LM	3182LM
	5000-5500K	1320LM	1908LM	2560LM	3208LM
ILLUMINANCE-DISTANCE CURVE					
COLOR INDEX	RA>80				
MATERIAL	Aluminum+PC				
OPERATING TEMPERATURE	-30-50°C				
GRADE	850°C/5S CLASS II IK08 IP22				
LIFE-SPAN	50000H				
SIZE(mm)	GT-TU0013:A=600 GT-TU0009:A=900 GT-TU0014:A=1200 GT-TU0015:A=1500 B=32.6 C=24.2				

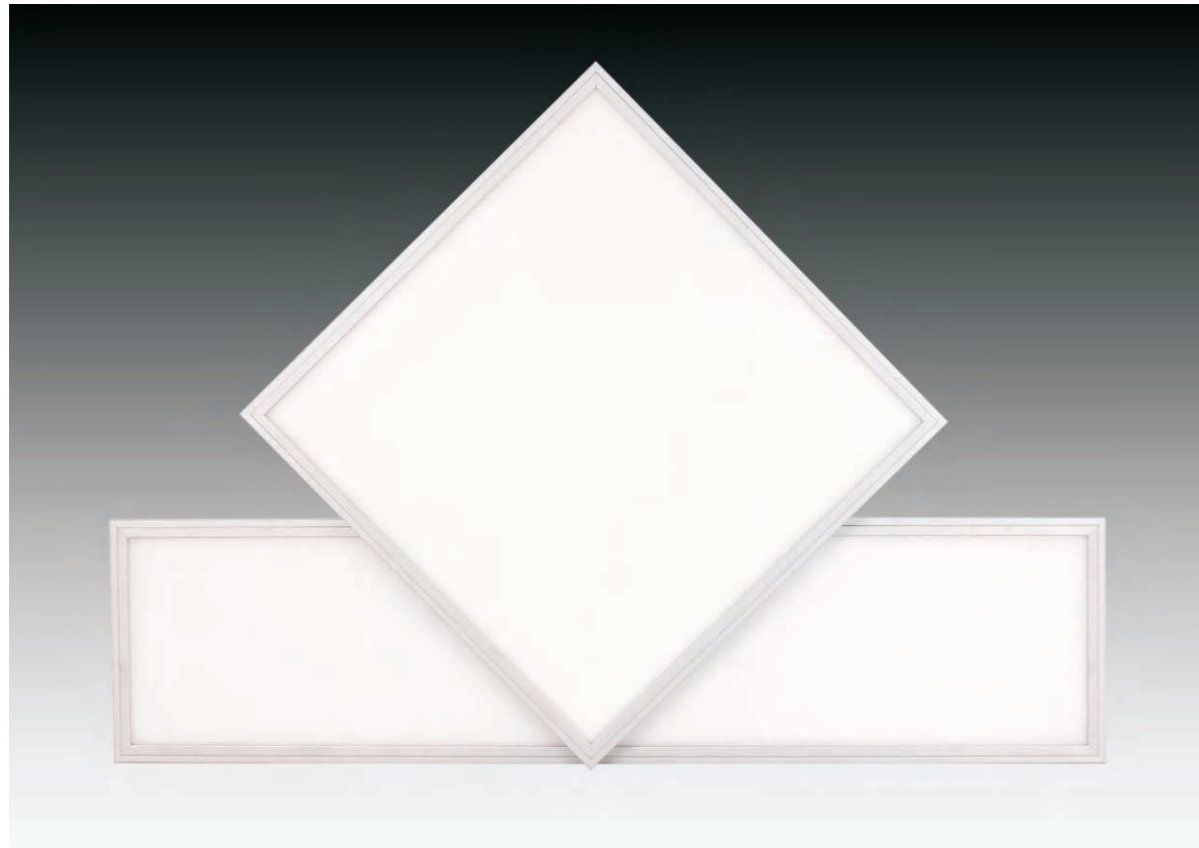




GainTop Panel light is Up to 70% energy saving, high brightness.various dimension,Long life span of more than 5 years; No infrared rays, no ultraviolet radiation, no thermal effect; Ultra slim 11mm and unlimited design;Soft and wide light emitting;Special circuit design, avoiding the single broken LED influence problem; High efficiency constant current drive system, with heat protection system, can work under unstable voltage; Instant start, no flickering, no humming, no RF interference.

Suitable place:

Hotels/Hospitals/School/colleges/Universities,Conference/Meeting rooms/Residential / Institution buildings,Factories / Offices/Commercial complexes



MODEL	GT-PN0009	GT-PN0010	GT-PN0014	GT-PN0011	GT-PN0012	
INPUT VOLATGE	85-265VAC/50-60Hz					
POWER	24W	40W	50W	18W	48W	
PFC	≥0.95					
LED QTY	3014 240PCS	2835 264PCS	2835 264PCS	3014 180PCS	3014 480PCS	
LUMENS	2800-3000K	1703LM	3320LM	3990LM	1208LM	3860LM
	4000-4500K	1765LM	3440LM	4220LM	1240LM	3910LM
	5000-5500K	1800LM	3550LM	4350LM	1300LM	4050LM
ILLUMINANCE-DISTANCE CURVE						
COLOR INDEX	RA>80					
MATERIAL	Aluminum+PC					
OPERATING TEMPERATURE	-30-50°C					
GRADE	850°C/5S CLASS II IK08 IP22					
LIFE-SPAN	50000H					
SIZE(mm)	295*595MM	595*595MM	595*595MM	295*295MM	295*1195MM	





MODEL	GT-PN0001	GT-PN0002	GT-PN0004	GT-PN0005	
INPUT VOLATGE	85-265VAC/50-60Hz				
POWER	10W	15W	20W	25W	
PFC	≥0.95				
LED QTY	EPISTAR 2835 60PCS	EPISTAR 2835 72PCS	EPISTAR 2835 102PCS	EPISTAR 2835 120PCS	
LUMENS	2800-3000K	952LM	1179LM	1786LM	1980LM
	4000-4500K	986LM	1200LM	1795LM	2000LM
	5000-5500K	1000LM	1220LM	1810LM	2050LM
ILLUMINANCE-DISTANCE CURVE					
COLOR INDEX	RA > 80				
MATERIAL	Aluminum+PC				
OPERATING TEMPERATURE	-30-50°C				
GRADE	850°C/5S CLASS II IK08 IP22				
LIFE-SPAN	50000H				
CUT(mm)	∅ 135MM	∅ 160MM	∅ 220MM	∅ 280MM	
SIZE(mm)	∅ 145*14MM	∅ 180*14MM	∅ 240*14MM	∅ 300*14MM	



Commercial Lighting:

With the rapid development of LED lighting, it can replace traditional products to a certain extent in all areas. GT give you a brand new option. GT developed commercial lighting with five advantages: high light efficiency, big beam angle, high CRI (color rendering index), good heat elimination, and long life span. They are real green products that had light structure without any pollution or radiation. Products like LED Spot, LED Tube, and LED Bulbs... are easy to install, and can save energy above 70%. Suitable place: Office, home, parking, Supermarket, corridor etc.



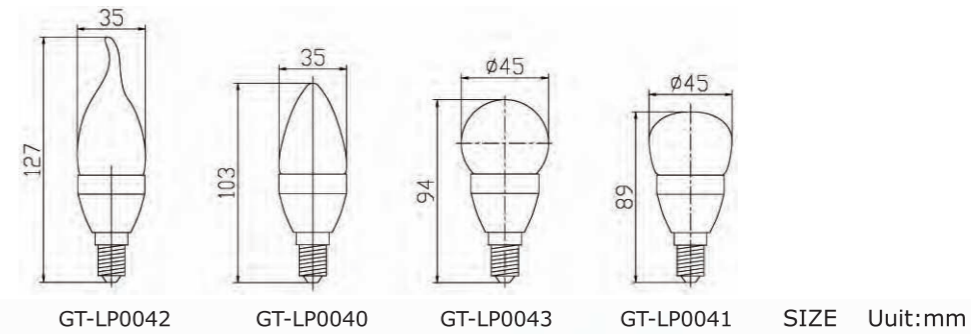
MODEL	GT-LP0040	GT-LP0041	GT-LP0042	GT-LP0043	
INPUT VOLATGE	220-240VAC/50-60Hz				
POWER	4W	4W	4W	4W	
COLOR INDEX	RA>80				
LED QTY	EPISTAR 1PC				
	2800-3000K	370LM	375LM	368LM	378LM
LUMENS	4000-4500K	375LM	380LM	370LM	382LM
	5000-5500K	382LM	385LM	378LM	386LM
ILLUMINANCE-DISTANCE CURVE					
INTENSITY	200cd				
BASE	E14/E27				
MATERIAL	Aluminium+High Heat Conduction PC+Glass (clear or milky)				
OPERATING TEMPERATURE	-30-50°C				
GRADE	850°C/5S CLASS II IK08 IP22				
LIFE-SPAN	35000H				
SIZE(mm)	103*35MM	89*45MM	127*35MM	94*45MM	



LED LAMP

LED
Catalogue 2013-2014

LED Lamp:
Most of LED lamps are solid-state packing, and belong to cooling light source. So it's convenient for shipment and installation. Available install in any closed equipments. High light efficiency, big beam angle, high CRI and good heat elimination. LED Bulb will be a new trend in the world's lighting system. Application areas: Office, home. School, meeting room, restaurant etc.





GT-LP0037
GT-LP0038



GT-LP0007



GT-LP0009



MODEL	GT-LP0037	GT-LP0038	GT-LP0007	GT-LP0009	
INPUT VOLATGE	176-265VAC/50-60Hz				
POWER	6W	8W	6W	9W	
COLOR INDEX	RA>80				
LED QTY	EPISTAR 1PC		EPISTAR 5050 36PC3	EPISTAR 5050 52PC3	
LUMENS	2800-3000K	586LM	827LM	620LM	858LM
	4000-4500K	592LM	835LM	631LM	865LM
	5000-5500K	600LM	840LM	640LM	880LM
ILLUMINANCE-DISTANCE CURVE					
BASE	E27/B22		E27/B22/G23/G24		
MATERIAL	Aluminum+PC				
OPERATING TEMPERATURE	-30-50°C				
GRADE	850°C/5S CLASS II IK08 IP22				
LIFE-SPAN	35000H				
SIZE(mm)	117*60MM	117*60MM	132*35MM	166*35MM	







LED spotlight adopts solid LED as the lighting way, the life time depends on solid LED light source and drive heat dissipation part etc. Saving-energy, long use life time, available dimmable, full color change and good heat dissipation are the LED spot and bulb features. It is available in E27, MR16, GU10, GU53, AR111, E40, E14, etc version, Application areas: home, hotel, office, Supermarket, corridor, bar ,decoration building etc.

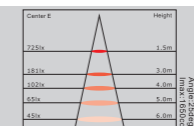
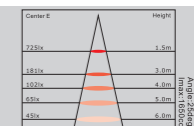


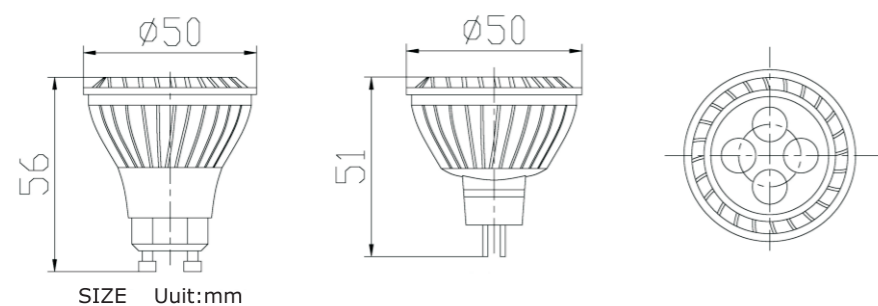
GT-SP0001



GT-SP0002



MODEL	GT-SP0001	GT-SP0002
INPUT VOLATGE	176-265VAC/50-60Hz	12-24VDC/50-60Hz
POWER	7W	
COLOR INDEX	RA>80	
LED QTY	SEOL Z5P 4PCS	
LUMENS	2800-3000K	450LM
	4000-4500K	458LM
	5000-5500K	465LM
ILLUMINANCE-DISTANCE CURVE		
BASE	Gu10	GU5.3
MATERIAL	Aluminum+PC	
OPERATING TEMPERATURE	-30-50°C	
GRADE	850°C/5S CLASS II IK08 IP22	
LIFE-SPAN	35000H	
SIZE(mm)	56*50MM	51*50MM





GT-SP0009

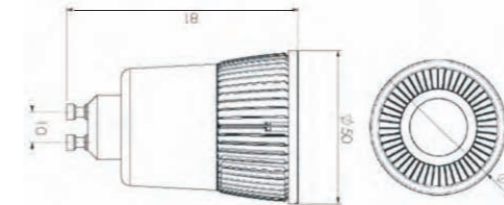
GT-SP0011

GT-SP0020

GT-SP0021



GT-SP0010



MODEL	GT-SP0010	
INPUT VOLATGE	176-265VAC/50-60Hz	12-24VDC/50-60Hz
POWER	5W	
COLOR	RGB	
LED QTY	EPISTAR 1PC	
ILLUMINANCE-DISTANCE CURVE		
BASE	Gu10/E27/2 PIN	MR16
MATERIAL	Aluminum+PC	
OPERATING TEMPERATURE	-30-50°C	
GRADE	850°C/5S CLASS II IK08 IP22	
LIFE-SPAN	35000H	
SIZE(mm)	81*50MM	56*50MM



MODEL	GT-SP0009	GT-SP0011	GT-SP0020	GT-SP0021
INPUT VOLATGE	176-265VAC/50-60Hz	12-24VDC/50-60Hz	176-265VAC/50-60Hz	12-24VDC/50-60Hz
POWER	6W		5W	
COLOR INDEX	RA>80			
LED QTY	EPISTAR 1PC		EPISTAR 2835 12PC3	
	2800-3000K	395LM	395LM	355LM
LUMENS	4000-4500K	406LM	406LM	360LM
	5000-5500K	410LM	410LM	368LM
ILLUMINANCE-DISTANCE CURVE				
BASE	Gu10	Gu5.3	Gu10	Gu5.3
MATERIAL	Aluminum+PC			
OPERATING TEMPERATURE	-30-50°C			
GRADE	850°C/5S CLASS II IK08 IP22			
LIFE-SPAN	35000H			
SIZE(mm)	55*50MM	48*50MM	55.5*50MM	51*50MM





MODEL	GT-SP0017-AR111	GT-SP0016-PAR30	GT-SP0015-PAR38	
INPUT VOLATGE	12-24VDC/50-60Hz	85-265VAC/50-60Hz	85-265VAC/50-60Hz	
POWER	11W	11W	16W	
COLOR INDEX	RA>80			
LED QTY	BRIDGELUX 9PCS	BRIDGELUX 9PCS	BRIDGELUX 12PCS	
LUMENS	2800-3000K	695LM	708LM	
	4000-4500K	770LM	820LM	
	5000-5500K	850LM	900LM	
ILLUMINANCE-DISTANCE CURVE				
	BASE	Gu53	E27	E27
	MATERIAL	Die-casting Aluminum+PC		
OPERATING TEMPERATURE	-30-50°C			
GRADE	850°C/5S CLASS II IK08 IP22			
LIFE-SPAN	35000H			
SIZE(mm)	111*58.6MM	112*95MM	130*120MM	



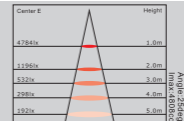
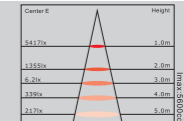


GT-SP0018

GT-SP0019

Ar111 Spotlight Series



MODEL	GT-SP0018	GT-SP0019
INPUT VOLATGE	12VDC/50-60Hz	85-265VAC/50-60Hz
POWER	12W	15W
COLOR INDEX	RA>80	
LED QTY	SEOUL Z5P 6PCS	
LUMENS	2800-3000K	850LM
	4000-4500K	875LM
	5000-5500K	908LM
ILLUMINANCE-DISTANCE CURVE		
	BASE	G53
MATERIAL	Aluminum+PC	
OPERATING TEMPERATURE	-30-50°C	
GRADE	850°C/5S CLASS II IK08 IP22	
LIFE-SPAN	35000H	
SIZE(mm)	∅111*58MM	∅111*40MM



LED downlights are the most advanced type of downlight available, they out perform halogen and compact fluorescent (CFL) in every way. While, GainTop multi-chip LED downlight is the most advantage type, which provide energy savings of 80-90%, and perfect light distribution. LED downlights can be installed with full peace of mind as they are fire rated and comply with Building Regulations. As standard GainTop downlight, it is IP44 anti-fog and dust proof, which makes them ideal for bathroom use. Dimmable options are also available. Suitable place:
Hotels/Hospitals/School/colleges/universities, Conference/meeting rooms/Residential / institution buildings, Factories / offices/Commercial complexes



MODEL	GT-DL0061	GT-DL0062	GT-DL0063	GT-DL0064	
INPUT VOLATGE	85-265VAC/50-60Hz				
POWER	30W	20W	15W	10W	
COLOR INDEX	RA>80				
LED QTY	EPISTAR 5050 120PCS	EPISTAR 5050 80PCS	EPISTAR 5050 60PCS	EPISTAR 2835 40PCS	
	2800-3000K	2412LM	1750LM	1250LM	850LM
LUMENS	4000-4500K	2490LM	1810LM	1320LM	870LM
	5000-5500K	2520LM	1850LM	1360LM	902LM
ILLUMINANCE-DISTANCE CURVE					
PFC	≥0.90				
MATERIAL	Aluminum+PC				
OPERATING TEMPERATURE	-30-50°C				
GRADE	850°C/5S CLASS II IK08 IP22				
LIFE-SPAN	50000H				
CUT(mm)	∅ 200MM	∅ 200MM	∅ 170MM	∅ 110MM	
SIZE(mm)	∅ 230*86MM	∅ 230*86MM	∅ 190*80MM	∅ 130*66MM	





MODEL	GT-DL0056	GT-DL0068	GT-DL0067	GT-DL0066
INPUT VOLATGE	85-265VAC/50-60Hz			
POWER	1*3W	3*2W	5W	10W
COLOR INDEX	RA>80			
LED QTY	BRIDGELUX 1PC	BRIDGELUX 3PCS	EPISTAR 1PC	EPISTAR 1PC
COLOR TEMPERTURE	2700-7000K			
BEAM ANGEL	25°			
MATERIAL	Aluminum+PC			
OPERATING TEMPERATURE	-30-50°C			
GRADE	850°C/5S CLASS II IK08 IP22			
LIFE-SPAN	50000H			
CUT(mm)	∅45	∅75	∅75	∅105
SIZE(mm)	D50×H40	D85×H75	D85×H75	D120×H90



MODEL	GT-DL0073	GT-DL0072	GT-DL0071	GT-DL0070	GT-DL0069
INPUT VOLATGE	85-265VAC/50-60Hz				
POWER	1*1W	2*1W	3*1W	4*1W	5*1W
COLOR INDEX	RA>80				
LED QTY	BRIDGELUX 1PC	BRIDGELUX 2PCS	BRIDGELUX 3PCS	BRIDGELUX 4PCS	BRIDGELUX 5PCS
COLOR TEMPERTURE	2700-7000K				
BEAM ANGEL	25°				
MATERIAL	Aluminum+PC				
OPERATING TEMPERATURE	-30-50°C				
GRADE	850°C/5S CLASS II IK08 IP22				
LIFE-SPAN	50000H				
CUT(mm)	∅53	D105×L53	D153×L53	D210×L53 D105×L105	D260×L53
SIZE(mm)	D60×L60×H40	D112×L60×H40	D165×L60×H40	D215×L60×H40 D112×L112×H40	D267×L60×H40





MODEL	GT-DL0065	
INPUT VOLATGE	85-265VAC/50-60Hz	
POWER	18W	
COLOR INDEX	RA>80	
LED QTY	EPISTAR 2835 96PCS	
LUMENS	2800-3000K	1786LM
	4000-4500K	1800LM
	5500-6000K	1830LM
MATERIAL	Aluminum+PC	
LIFE-SPAN	50000H	
FUNCTION	1.No Additional Function 2.Simple Microwave Sensor 3.Dimmable 4.Intelligent Microwave Sensor 5.Emergency Function	
SENSOR ANGLE	360°	
INSTALLATION HEIGHT	2.5-4M	
SIZE(mm)	Φ298*65MM	



Decoration:

LED decoration series can be widely used on house contour, bridge, guardrail, hotel, garden, bars, etc. Their multi bright color make the objects much more shining, fresh and higher class. They bring a colorful dream world.



BARRE STRIP (SMD)



GT-AS0001 GT-AS0003

LED Barre Strip:

Aluminum strip is made of high brightness SMD5050 as lighting source. It has white, warm white, green, blue etc. Super thin design and low voltage(12V) make it convenient for installation. The life span is above 50,000 hours. It can be widely used for screen, advertisement, brighten decoration and so on.

Reference	Description	Color	Power (W/pc)
GT-AS0001	Aluminum Strip, 30pcs SMD5050 LEDs, 500×16×9mm, DC12V, waterproof	White □	7.2W
		Warm White □	7.2W
	Aluminum Strip, 30pcs SMD5050 LEDs, 500×16×9mm, DC12V, waterproof	RGB ■	7.2W
GT-AS0003	Aluminum Strip, 60pcs SMD5050 LEDs, 1000×16×9mm, DC12V, waterproof	Red Green Blue ■	7.2W
		White □	14.4W
	Aluminum Strip, 60pcs SMD5050 LEDs, 1000×16×9mm, DC12V, waterproof	Warm White □	14.4W
GT-AS0018 equiped with magnet double row	Aluminum Strip, 96pcs SMD5050 LEDs, 1000×23×10mm, DC12V, waterproof	White □	19.2W
		Warm White □	19.2W
	Aluminum Strip, 96pcs SMD5050 LEDs, 1000×23×10mm, DC12V, waterproof	RGB ■	19.2W
GT-AS0018 equiped with magnet double row	Aluminum Strip, 96pcs SMD5050 LEDs, 1000×23×10mm, DC12V, waterproof	Red Green Blue ■	19.2W
		White □	19.2W

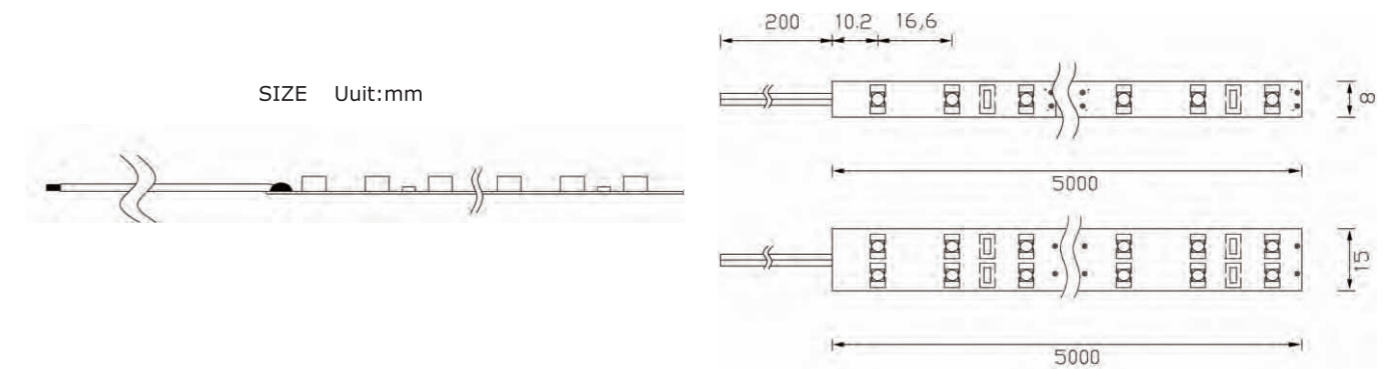
STRIP

Flexible Strip (SMD 3528)

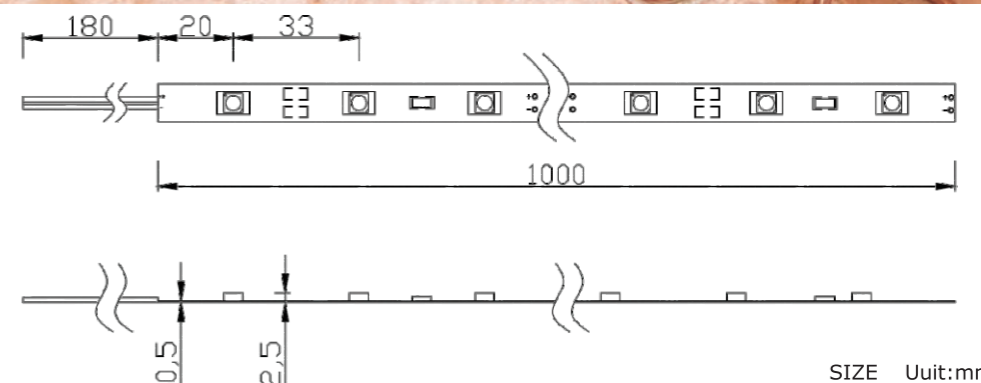


Flexible LED strip SMD3528 use high brightness SMD3528 as lighting source. It has red,green,blue,yellow,white,warm white,etc. It can be cut to different length. The back has glue to fix. Super thin design and low voltage(12V DC) make the using much more convenient and easier. The using time up to 50,000 hours.

It can be widely used for indoor decoration, cinema, amusement park, etc.



Reference	Description	Color	Power (W/5m)
GT-FS0001	SMD3528,DC12V, 5meters/reel, 300LEDs IP22/IP65	White	24W
		Warm White	24W
		Red	24W
		Green	24W
		Blue	24W
		Yellow	24W
GT-FS0007	SMD3528,DC12V, 5meters/reel, 480LEDs IP22/IP65	White	38.4W
		Warm White	38.4W
		Red	38.4W
		Green	38.4W
		Blue	38.4W
		Yellow	38.4W
GT-FS0002 (double row)	SMD3528,DC12V, DC24V,5meters/reel, 1200LEDs,IP22/IP65	White	96W
		Warm White	96W
		Red	96W
		Green	96W
		Blue	96W
		Yellow	96W



Flexible Strip (SMD 5050)

Description of product

Flexible LED strip SMD5050 use high brightness SMD5050 as lighting source. It has red,green,blue,yellow,white,warm white,etc. It can be cut to different length. The back has glue to fix. Super thin design and low voltage(12V DC) make the using much more convenient and easier. The using time up to 50,000 hours.

It can be widely used for indoor decoration, cinema, amusement park, etc.



Reference	Description	Color	Power (W/5m)
GT-FS0013	SMD5050,DC12V, 5meters/reel, 150LEDs IP22/IP65	White	36W
		Warm White	36W
		Red	36W
		Green	36W
		Blue	36W
		Yellow	36W
GT-FS0019		RGB	36W
GT-FS0020	SMD5050,DC12V, 5meters/reel, 300LEDs IP22/IP65	White	72W
		Warm White	72W
		Red	72W
		Green	72W
		Blue	72W
		Yellow	72W
GT-FS0026		RGB	72W



Accessories:

High quality accessories increase the products' service life. High class accessories make products more luxury. Gain Top insists using the best material and best quality accessories for all products. Accessories as transformer and controller are after long time strict testing to ensure they will not influence the good working of LED lightings.

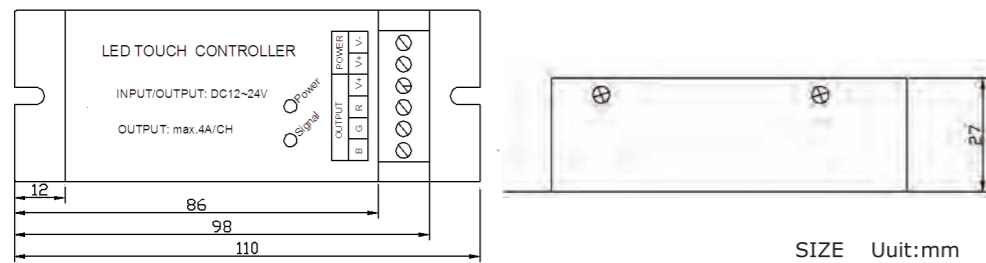
GT-CTR0016
TOUCH 8 KEYS RGB LED CONTROLLER



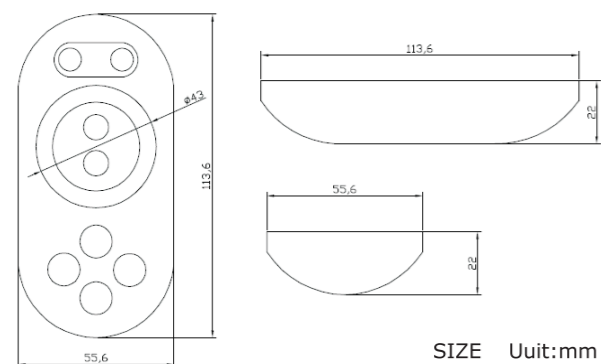
Summarization

This product is a novel LED controller developed by our company which can realize multistage touch dimmer. Adopting advanced touch design, through the panel controller combined with touch remote way, realize flexible control. Touch remote has good performance, beautiful, fashion, easy to use. This product suit for every occasions, such as: point light source, flexible strip, wall washer lamp, glass curtain wall light and such lighting controller.

Controller External Dimension



Remote External Dimension



Main Feature

- ◇ Touch-button, ultrathin, light quality, protable.
- ◇ Touch-key count up to 64, up to 64 kinds of mode function, small volume , more key fuction.
- ◇ Easy to use, have color pulley touch screen, all sorts of design and color mod at a glance, can a single point also can continuous touch to realize color mode select, users can speedily choose the needed color, and the static and dynamic mode can change freely.
- ◇ Auto dormancy function, the remote control is without bttions state more than 20 seconds, remote will automatic enter the standby state, realize save electricity, extending battery life.

Technical Parameters

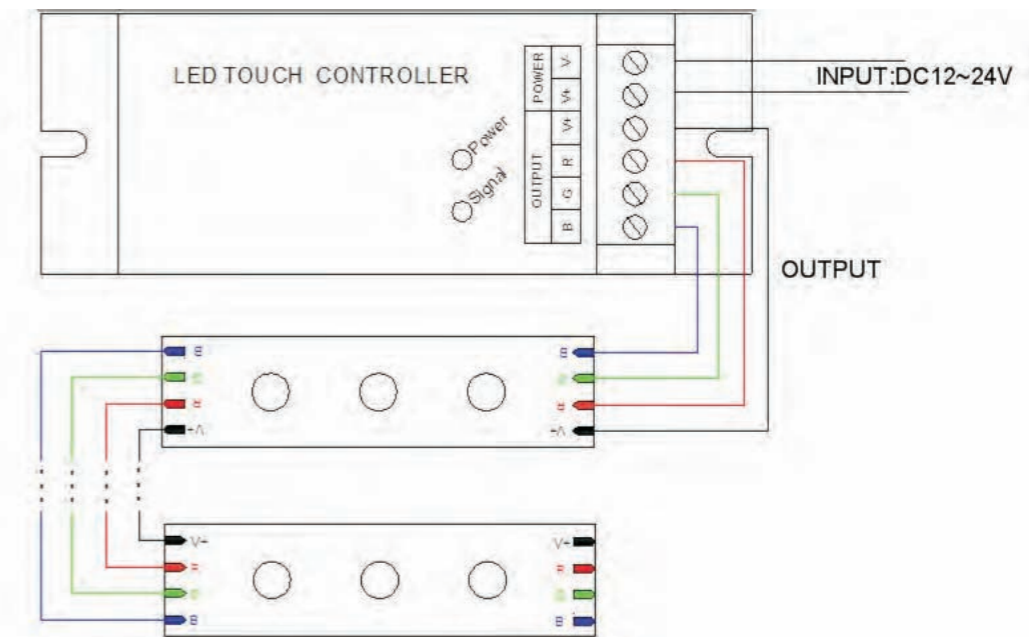
Controller

- Working temperature: -20-60 °C
- Supply voltage: 12V -24V
- Output: 3 channels
- Connection mode: common anode
- External dimension: L110*W42*H27mm
- Packing size: L130 * W100 * H40 mm
- Net weight: 200g
- Gross weight: 300g
- Static power: <1W
- Output current: <4A(each channel)
- Output power: 12V<144W,24V<288W

Touch remote

- working temperature: -20-60°C
- power supply mode: AAA*3 battery
- supply voltage: 1.5V*3
- static power consumption: 0.015mW
- standby current: 3uA
- work current: 200uA
- emission current: 10mA
- remote distance: 20m
- standby time: 6 months

Typical Application



GT-CTR0001
DMX512 CONTROL BOX



Products Description

AT3010D controller is a DMX controller with LCD display, wireless control, audio input, IP edition.

Main Features

- ◇ Input voltage: AC110V or AC220V
- ◇ Input DMX signal by DMX512/1990 standard
- ◇ With a standard DMX512 output channel, it can realize 170 full color dot control at most
- ◇ Internal has normally on seven color, consistency flash, consistency strobe, smooth, pursuit, halve, accumulate and other lighting mode
- ◇ Each change effects can set 16 different change speed and color selection
- ◇ Simple program function, can easily define input lighting effects
- ◇ Program can easily define all change mode inside to a step.
- ◇ Define 8 separate independent loop steps
- ◇ With four operation keys, can easily operate
- ◇ With LCD output indication, all function is showed in the LCD.
- ◇ Wireless controller can be used in operation of remote debug and change
- ◇ With audio input connector, two inside audio mode
- ◇ With DMX IP edition function, convenient to modify the ID

Application

DMX connector output control of small change effects

Specification Standard Diagram

ITEM NO	AC VOLTAGE INPUT	DRIVE POWER	CONTROL WAY	CONNECTING WAY
GT-CTR0001	100V-240V	Standard Module 32pcs	DMX	Rj11

Typical Feature Parameters

FEATURE PROJECT	TEST CONDITION	MIN	TYPICAL	MAX
Output full color node	RGB group is a node	1	/	170
Output DMX channel QTY	/	/	1	/
Output DMX Drive Power	Standard DMX Module	1	/	32
Drive Instance	No Repeater	0	/	300m

Max No-damage Range

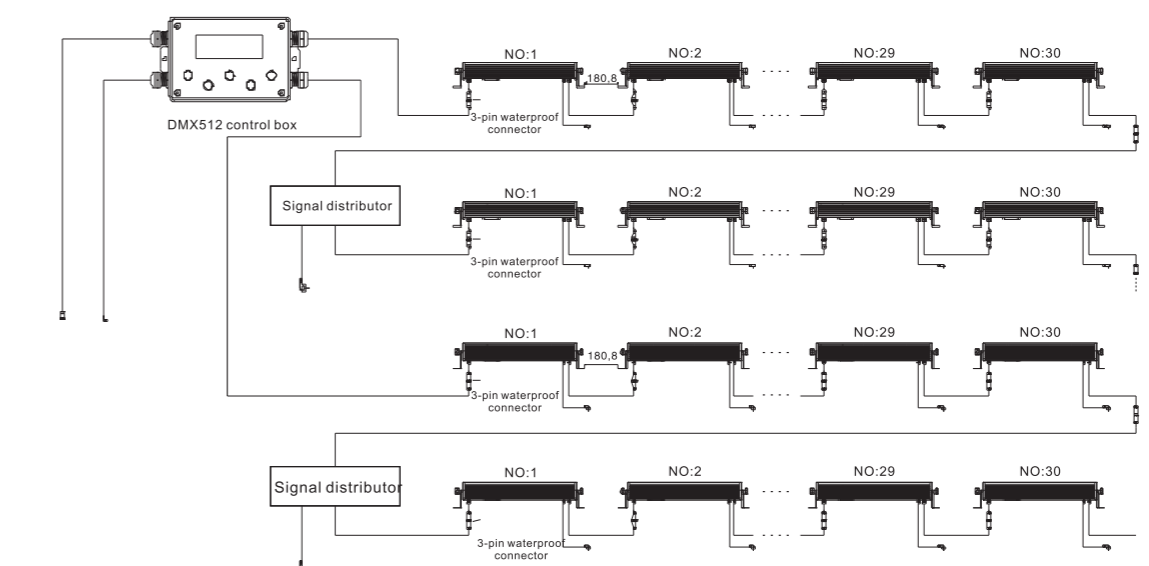
PARAMETER PROJECT	REPRESENT SIGN	MIN	REMARK	MAX
Input Voltage(DC)	Vin_AC	0	/	AC260V
Working Temperature	Twork	-20℃	/	60℃

Machine Size

Project	TEST CONDITION	MIN	TYPICAL	MAX
Length	/	/	160mm	/
Width	Including Antenna	/	135mm	/
Thickness	/	/	32mm	/

Drive output connector[RJ11]

Terminal	Line Color	Function	Remark
1	/	NC	/
2	/	NC	/
3	/	DMX-	/
4	/	DMX+	/
5	/	GND	/
6	/	SOUT	ID is Available When Editing





WATREPROOF



CLG-150-24A



LPV-60-12



MODEL	GT-TR0022	GT-TR0023	GT-TR0024	GT-TR0025	GT-TR0026
INPUT VOLATGE	90-264VAC/50-60Hz				
POWER	20W	35W	60W	100W	150W
MEAN WELL MODEL	LPV-20	LPV-35	LPV-60	LPV-100	CLG-150
OUTPUT VOLATGE	24V/12V±5%	24V/12V±5%	24V/12V±5%	24V/12V±5%	24V/12V±5%
OUTPUT CURRENT	0.84A/1.67A	1.50A/3.00A	2.50A/5.00A	4.20A/8.50A	6.30A/11.10A
OPERATING TEMPERATURE	-30°C~+70°C	-30°C~+70°C	-30°C~+70°C	-30°C~+70°C	-30°C~+70°C
SAFETY STANDARDS	PASS TUV EN60950-1,IEC61347-1,IEC61347-2-13,UL1310,UL879PSE J61347-1J61347-2-13				
IP RANK	Ip67	Ip67	Ip67	Ip67	Ip67
SIZE(mm)	L118*W35*H26	L148*W40*H30	L163*W43*H32	L190*W52*H37	L228*W68*H38



NON WATREPROOF



APV-16-12



RS-150-24



MODEL	GT-TR0020	GT-TR0021	GT-TR0010	GT-TR0011	GT-TR0012
INPUT VOLATGE	90-264VAC/50-60Hz				
POWER	12W	16W	25W	35W	50W
MEAN WELL MODEL	APV-12	APV-16	RS-25	RS-35	RS-50
OUTPUT VOLATGE	24V/12V±5%	24V/12V±5%	24V/12V±5%	24V/12V±5%	24V/12V±5%
OUTPUT CURRENT	0.50A/1.00A	0.67A/1.25A	1.05A/2.10A	1.50A/3.00A	2.20A/4.20A
OPERATING TEMPERATURE	-30°C~+70°C	-30°C~+70°C	-30°C~+70°C	-30°C~+70°C	-30°C~+70°C
SAFETY STANDARDS	PASS TUV EN60950-1,IEC61347-1,IEC61347-2-13,UL1310,UL879PSE J61347-1J61347-2-13				
IP RANK	Ip30	Ip30	Ip22	Ip22	Ip22
SIZE(mm)	L70*W40*H29	L70*W40*H29	L78*W51*H28	L99*W82*H36	L99*W97*H36



MODEL	GT-TR0027	GT-TR0013	GT-TR0015	GT-TR0016	GT-TR0018
INPUT VOLATGE	90-264VAC/50-60Hz				
POWER	75W	100W	150W	200W	320W
MEAN WELL MODEL	RS-75	RS-100	RS-150	SP-200	SP-320
OUTPUT VOLATGE	24V/12V±5%	24V/12V±5%	24V/12V±5%	24V/12V±5%	24V/12V±5%
OUTPUT CURRENT	3.20A/6.00A	4.50A/8.50A	6.50A/12.50A	8.34A/16.67A	13.40A/26.67A
OPERATING TEMPERATURE	-30°C~+70°C	-30°C~+70°C	-30°C~+70°C	-30°C~+70°C	-30°C~+70°C
SAFETY STANDARDS	PASS TUV EN60950-1,IEC61347-1,IEC61347-2-13,UL1310,UL879PSE J61347-1J61347-2-13				
IP RANK	Ip22	Ip22	Ip22	Ip22	Ip22
SIZE(mm)	L129*W97*H38	L159*W97*H38	L199*W98*H38	L199*W99*H50	L215*W115*H50

Leading professional supplier of led lighting solutions and products!

